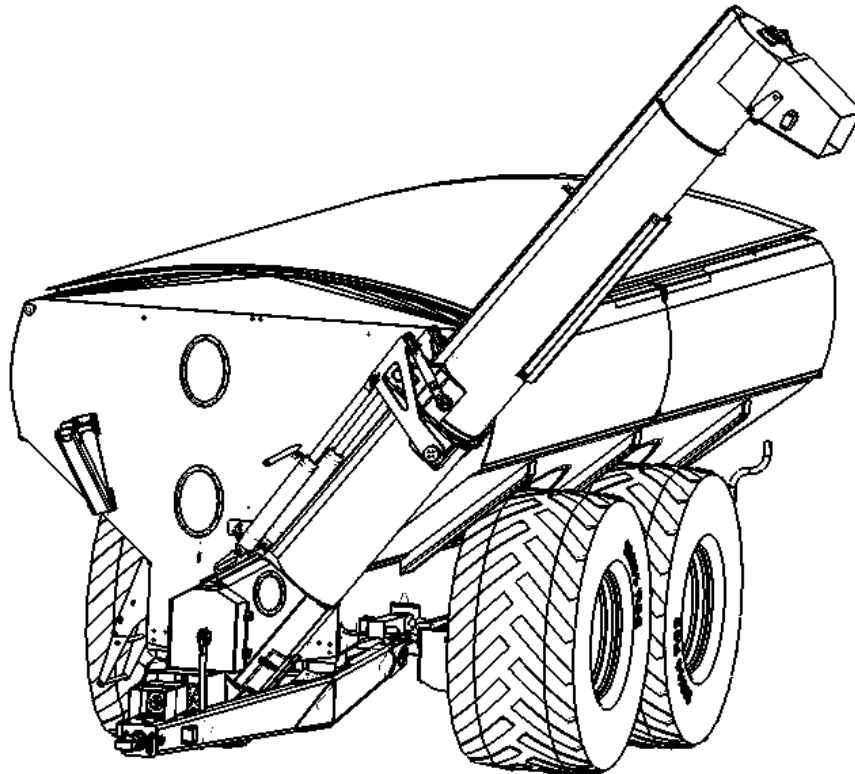


DAVIMAC

MANUFACTURING

CHASER BIN OPERATORS MANUAL

From Serial No. CB14517 7 2 & %



Model Number: _____

Serial Number: _____

Davimac Trading Pty Ltd
55 Wellington Street, Molong NSW 2866
PH: 02 6366 8584 FAX: 02 6366 8223

CONTENTS

INTRODUCTION	4
Models Covered in this Manual	4
Description of Unit	4
Advantages of owning a Davimac Chaser:	4
Standard Features:.....	5
Options:.....	6
WARRANTY	7
Intended Use	8
Serial Number	8
General	9
Protective Equipment	10
Safety Decals	10
High Pressure Fluids	12
Tyre Safety	12
Safe Maintenance	12
OPERATION AND SETUP.....	13
Tractor Requirements.....	13
Hitching Tractor to Chaser Bin.....	13
Transporting	14
Pre Start Checklist.....	14
Field Operation.....	14
To connect hydraulic augers drive	15
Changing auger from transport to working position.....	17
Changing auger from working to transport position.....	17
Changing auger from transport to working position pictures	17
Adjust auger linkage	19
To start the augers:	19
To stop the augers:.....	20
Emergency Stop Procedure:.....	20
MAINTENANCE AND LUBRICATION.....	20
Maintenance.....	20
Lubrication.....	21
Tyre Inflation Chart.....	21
Track Tension Pressure	21
Bolts and Hardware	21

Torque Chart	22
Storage.....	22
ADJUSTING TRACK IN AND OUT	23
Safety when adjusting tracks	23
Track adjustment.....	23
Track adjusted in	24
Track adjusted out.....	24
REMOVING OR REPLACING TRACK.....	25
ADJUSTING WHEELS IN AND OUT	26
Safety when adjusting wheels	26
Wheel adjustment.....	26
Wheels adjusted in	27
Wheels adjusted out.....	27
SETTING THE GRAIN FLOW DOORS.....	28
TROUBLESHOOTING	29
SPECIFICATIONS AND CAPACITIES.....	31
AFTER SALES OPTIONS.....	33
HAZARD IDENTIFICATION & RISK ASSESSMENT	34
Customer Hazard Identification and Risk Assessment.....	35

INTRODUCTION

Davimac thanks you for purchasing one of our products.

The range of Davimac Chaser Bins has been developed to cater for the needs of the progressive farmer. Davimac has drawn on its years of experience in the harvesting industry to build a range of chaser bins that have a superior build quality, with heavy duty frame construction and high quality drive systems. You are assured a quality built product for the farmer who only wants the best.

It is the responsibility of the user to understand the operation, safety, maintenance and lubrication before operating the Chaser Bin. It is the user's responsibility to check and service the machine as specified in this manual.

This manual will familiarise you with safety, assembly, operation, adjustments, maintenance and troubleshooting aspects of the machine.

By reading this manual and following the recommendations within it, you will help to ensure safe and efficient operation, as well as years of satisfactory use from the machine.

Models Covered in this Manual

- 18/25/30 Ton Single Axle
- 35 Ton Track System
- 30/35 Dual Axle

Description of Unit

Our dedication to building a quality Davimac Chaser Bin is represented by our standard features. One of the best parts of owning a Davimac Chaser Bin is that you can unload your combine on the go and increase harvest efficiency - saving valuable time and money. It's tough and sturdy design ensures strength and durability for the farmer who only wants the best.

- Class leading design.
- A low 3.3m loading side height enhances on-the-go-transfer efficiency.
- The rugged drive train design combines a chain drive 16" cross auger and a heavy duty direct drive gearbox for the 20" vertical auger.
- Steep bin sides, so even hard to flow grains will flow.
- Easy clean out - bin design eliminates places for grain to sit.
- The axle is rated to 34 ton (40 ton on 30 ton single axle) (80ton on the Track).
- Unique heavy duty chassis puts the Davimac Chaser Bin in a class of its own.

Advantages of owning a Davimac Chaser:

- Increased header capacity up to 30%.
- Able to harvest in wetter conditions.
- Less wear and tear on header running across fields.
- A product that is built to last.
- Less compaction (no trucks in the fields).

Standard Features:

- Capacity: Sizes range from 18 tonne to 35 tonne.
- The 16" cross auger is driven by a heavy duty chain.
- The 20" vertical auger is driven by a heavy duty direct drive gearbox.
- Heavy Duty frame manufactures from 6.4mm, 10mm and 16mm plate with all structural joints plated for greater strength.
- The bin is constructed of 6.4mm bottom side plates, 3mm top side sheet and 6.4mm plate in the front and back of the bin. The bin has steep 55 degree sides so that the bin empties completely.
- Heavy duty floatation wheels are fitted.

The 18 tonne bin Tyre – Standard

Harvest 30.5L32 18pr HB45 167A8 TL – Dual bead
Section width – 775mm
Overall diameter – 1850mm
RCI – 5384mm

The 25 tonne bin Tyre– Standard

Harvest 800/65-32 20pr HB45 179A8 TL – Dual bead
Section width – 790mm
Overall diameter - 1870mm
RCI – 5550mm

The 25 tonne bin Tyre– For superior flotation the following can be fitted

Tyre – Harvest 900/60-32 20pr HB45 185A8 TL – Dual bead
Section width – 900mm
Overall diameter – 1900mm
RCI – 5850mm

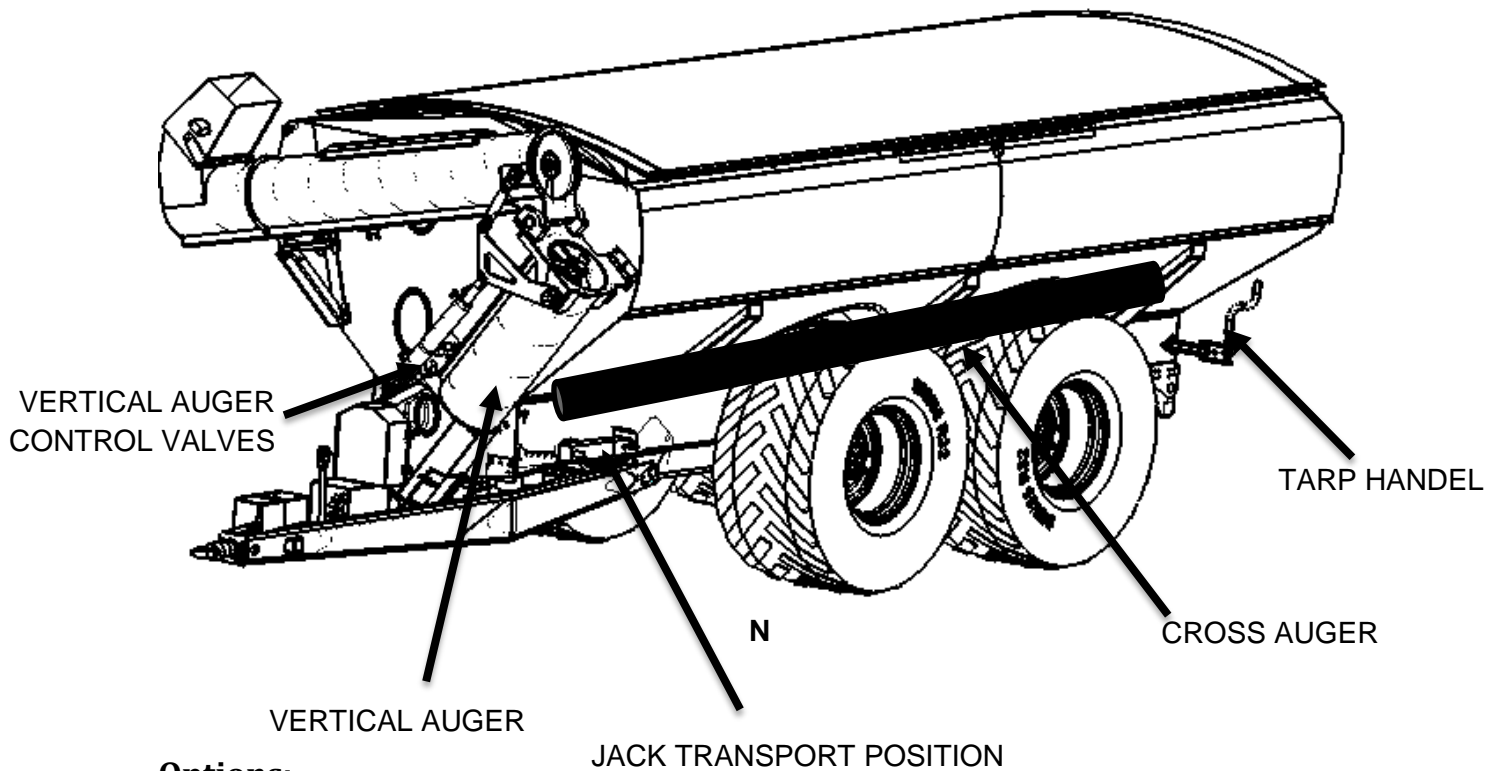
The 30 tonne bin Tyre– Single axle

Tyre – Harvest 900/60-32 20pr HB45 185A8 TL – Dual bead
Section width – 900mm
Overall diameter – 1900mm
RCI – 5850mm

The 30 and 35 tonne bin Tyre – Dual axle

Harvest 30.5L32 18pr HB45 167A8 TL – Dual bead
Section width – 775mm
Overall diameter – 1850mm
RCI – 5384mm

- On 35 ton bin 24" or 36" Vimcor tracks are fitted.
- The 20" vertical auger flight is constructed in 10mm steel. These heavy gauge flights combined with a 3mm barrel ensure long life. The cross auger has a large 165mm pipe so there is no need for troublesome middle bearings.



Options:

- Spout for filling auger hoppers.
- 3 metre wheel centres.
- Freight available if required.
- Scales.
- Wheels, Tracks or Dual axle.
- Hydraulic drive
- 24" or 36" Vimcor tracks for 35 ton bin
- Dual axel system for 30 and 35 ton bin

WARRANTY

Davimac Trading Pty Ltd warrants against defects in materials or workmanship that result in failure during normal usage for 3 year from date of delivery.

Davimac Trading Pty Ltd reserves the right to inspect and decide whether material or workmanship was the cause of the fault or whether the fault was as a result of abuse, accident, misuse tampering, improper maintenance or servicing thus voiding warranty.

Warranty service must be undertaken by a dealer or service centre approved by Davimac Trading Pty Ltd. Warranty service will be performed without charge to the purchaser if the warranty claim is valid. If the original purchaser sells or transfers this product to a third party the warranty does not transfer to the third party in any way.

To process a warranty claim first contact the dealer who sold the unit and provide the serial number of your unit and details of the problem you are experiencing. The dealer will then contact Davimac Trading Pty Ltd to get approval to assess your machine and to proceed with any warranted repairs.

Davimac Trading Pty Ltd will provide replacement parts and repairs but does not cover additional costs incurred for travel and transport beyond work at the approved service location. Excluded from warranty are travel, transport and labour costs for repairs or replacement parts when the owner elects for these to occur at a location other than at an approved service location.

Davimac Trading Pty Ltd does not warrant tyres supplied as these items are covered by the tyre manufacture. Davimac Trading Pty Ltd will facilitate the warranty process with the appropriate manufacture but the outcome will be a result of the tyre manufactures investigation.

Davimac Trading Pty Ltd does not warrant tracks supplied as these items are covered by the track manufacture. Davimac Trading Pty Ltd will facilitate the warranty process with the appropriate manufacture but the outcome will be a result of the track manufactures investigation.

Davimac Trading Pty Ltd reserves the right to make product design changes at any time without notice. They shall not be obligated or liable for the replacement of previously sold products that do not match design updates included in latest models.

Davimac Trading Pty Ltd does not warrant faults relating to wheel nut tightness. It is the responsibility of the operator to check and maintain wheel nut torque on a regular basis. (Refer to the Maintenance section of this manual for requirements).

Intended Use

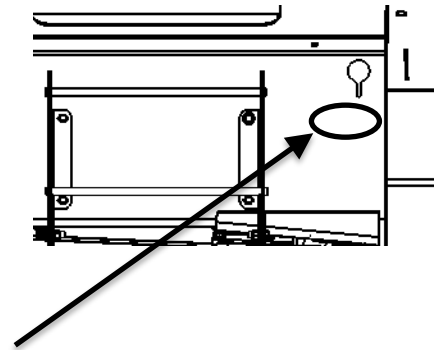
The chaser bin is intended to be used to transport dry grain on a flat agricultural lands. It is not intended to be used to transport products other than grain. Do not exceed the carrying capacity of the bin

Serial Number

The serial-number plate is on the right front of the bin chassis.

Record your chaser bin model and serial number on the front cover of this manual for quick reference.

Quote this number when ordering spare parts, or when you require service.



Serial-Number

SAFETY

Safety is the responsibility of the operator to know how to operate and service the machine.

Thoroughly read and understand the instructions in this manual before operating or servicing the machine. Read all instructions noted on the safety decals.

Below are identified safety points. Identified safety risks can never be considered comprehensive and the operator should always do a safety evaluation of the machine within the operating environment before operating the machine.

General

- Be familiar with all chaser bin functions.
- Operate machinery from the driver's seat only.
- Do not leave chaser bin unattended with tractor engine running.
- Do not dismount a moving tractor.
- Always look up for power lines before raising the vertical auger.
- Always look for trees and other obstacles before raising your vertical auger.
- Keep hands, feet and clothing away from power-driven parts.
- Wear snug-fitting clothing to avoid entanglement with moving parts.
- Make sure all persons are clear of working area.
- Do not turn tractor too tightly, causing chaser bin to ride up on wheels. This could cause personal injury or equipment damage.
- Do not break suddenly and always make sure you break when driving in a straight line to avoid risk of jack knifing.
- Never permit any persons other than the operator to ride on the tractor.
- Never ride on the chaser bin or allow others to ride on the chaser bin.
- Do not allow anyone to stand between the hitch and towing vehicle when backing up to the chaser bin.
- Do not operate or do maintenance on the chaser bin unless you are trained to do so.
- Before doing any maintenance do a safety evaluation.
- Do not service the hydraulics while there is pressure in the system.
- Securely attach chaser bin safety chain to an anchor on tractor capable of pulling chaser bin load.

Throughout this manual, important safety information is indicated by these symbols.



A Blue Caution indicates a hazard that may cause damage to property if the caution is ignored.



A Yellow Warning indicates a hazard that could cause injury or death if the warning is ignored.

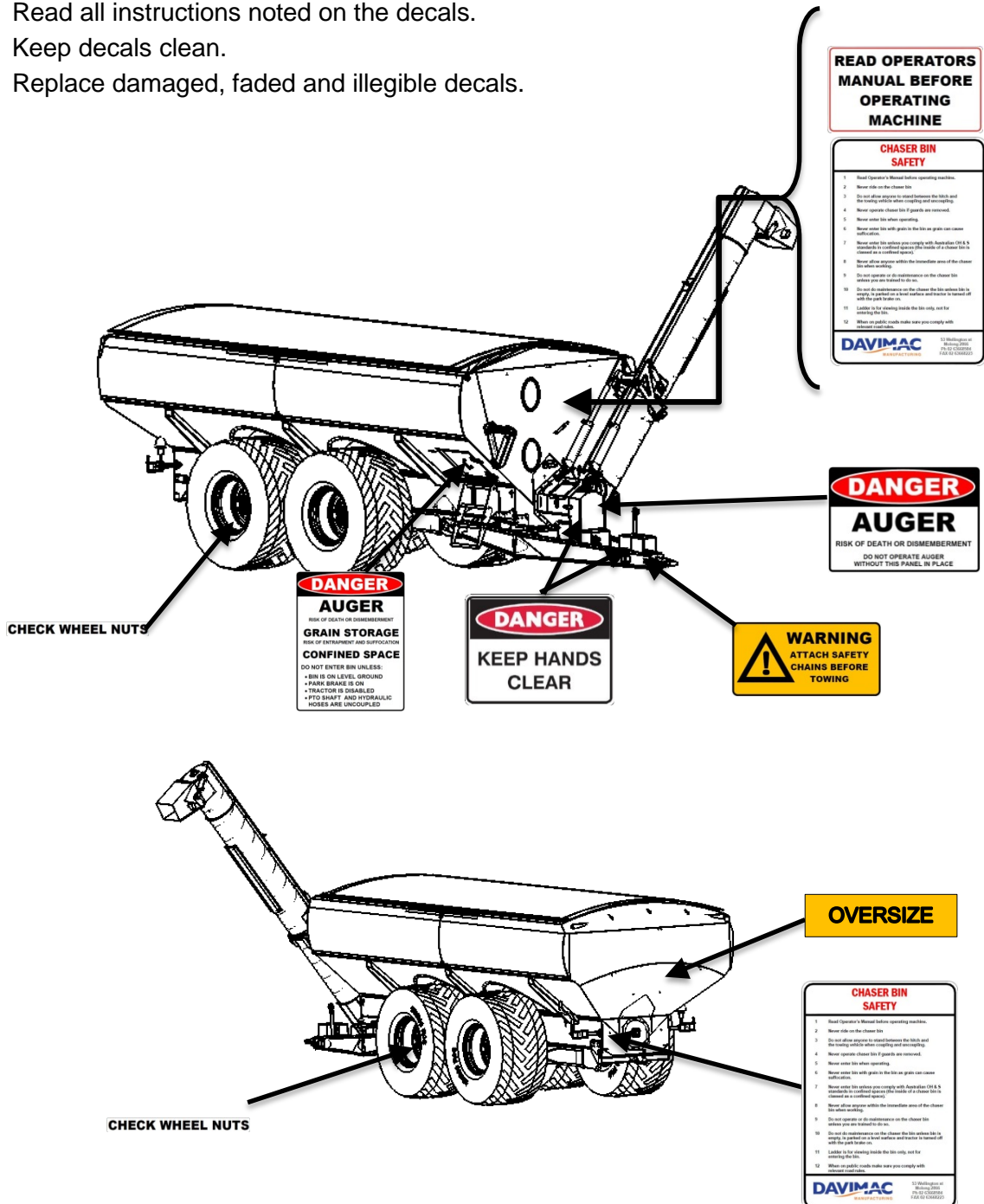
Protective Equipment

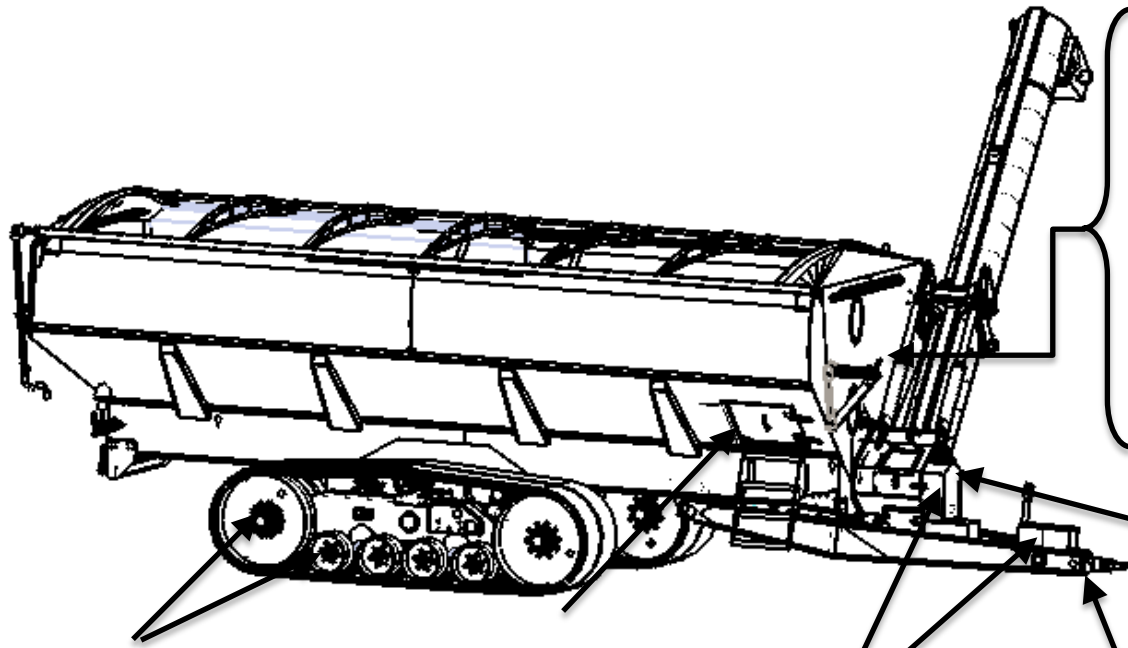
Wear protective clothing and equipment.

- Wear clothing and equipment appropriate for the job.
- Avoid loose-fitting clothing.
- Wear suitable hearing protection such as earmuffs or earplugs.
- Avoid wearing radio headphones while operating machinery.

Safety Decals

- Read all instructions noted on the decals.
- Keep decals clean.
- Replace damaged, faded and illegible decals.





**READ OPERATORS
MANUAL BEFORE
OPERATING
MACHINE**

**CHASER BIN
SAFETY**

1. Read Operator's Manual before operating machine.
2. Never climb on the chaser bin.
3. Do not allow anyone to stand between the bins and the leading wheel when coupling and uncoupling.
4. Never operate chaser bin if guards are removed.
5. Never enter bin when operating.
6. Never enter bin with grain in the bin as grain can cause suffocation.
7. Never enter bin unless you comply with Appendix C18 & C19 and use a confined space job card or chaser bin safety permit.
8. Never allow anyone within the immediate area of the chaser bin when working.
9. Do not operate or do maintenance on the chaser bin unless you are trained to do so.
10. Do not do maintenance on the chaser bin unless the bin is raised fully to ensure a person can reach the top and bottom of the bin with the park brake on.
11. Ladders in the chaser bin are for the bin only and for entering the bin.
12. When a public works trailer is towed, ensure you comply with relevant regulations.



DANGER
AUGER
RISK OF DEATH OR DISMEMBERMENT
DO NOT OPERATE AUGER WITHOUT THIS PANEL IN PLACE

WARNING
ATTACH SAFETY CHAINS BEFORE TOWING

DANGER
KEEP HANDS CLEAR

DANGER
AUGER
RISK OF DEATH OR DISMEMBERMENT
GRAIN STORAGE
RISK OF ENTRAPMENT AND SUFFOCATION
CONFINED SPACE
DO NOT ENTER BIN UNLESS:
• BIN IS ON LEVEL GROUND
• PARK BRAKE IS ON
• TRACTOR IS DISABLED
• PTO SHAFT AND HYDRAULIC HOSES ARE UNCOUPLED

CHECK WHEEL NUTS

High Pressure Fluids



Warning - High Pressure Fluid Hazard: Escaping fluid under pressure can have sufficient pressure to penetrate the skin. Check all hydraulic lines and fittings before applying pressure. Fluid escaping from a very small hole can be almost invisible. Use paper or cardboard, and wear heavy gloves to check for suspected leaks. If an accident occurs seek immediate medical assistance.

- Avoid the hazard by relieving pressure before disconnecting hydraulic lines.
- Use a piece of paper or cardboard to check for suspected leaks.
- Wear protective gloves and safety glasses or goggles, and other appropriate safety equipment when working with hydraulic systems.
- If an accident occurs seek medical assistance immediately.

Tyre Safety



Tyre changing can be dangerous and should be performed by trained personnel using correct tools and equipment.

- When inflating tyres, use a clip-on nozzle with an extension hose long enough for you to stand to one side of tyre assembly.
- Never walk away while a tyre is inflating. Stay and ensure the tyre is not over inflated.
- When removing and installing wheels, use wheel-handling equipment adequate for weight involved.

Safe Maintenance

- Understand procedure before doing work. Use proper tools and equipment. Refer to this manual for additional information.
- Always use and wear appropriate personnel safety equipment.
- Work in a clean, dry area.
- Put the tractor in park on flat level ground, turn off engine, and remove key before performing maintenance.
- Make sure all moving parts have stopped and all system pressure is relieved.
- Remove build-up of grease, oil or debris.
- Ensure removal of all tools and unused parts from chaser bin before operation.

OPERATION AND SETUP

Tractor Requirements



Warning – Collision Hazard: Confirm tractor is rated to tow the load of fully loaded chaser bin. The chaser bin loaded weights for each model are listed in the specifications section of this document.

Check that tractor compatibility and power are sufficient for the chaser bin and that it has two remote hydraulic outlets. If the unit has the option of a variable hydraulic auger spout you will need an additional outlet for each feature. (E.g. up to 3 outlets are required). 2 outlets will be sufficient if you do not use the hydraulic auger spout.

Hitching Tractor to Chaser Bin



Warning – Crushing Hazard: When hooking chaser bin to the towing vehicle the operator has the responsibility of safety for other persons in the area. Persons should not stand in between tractor and chaser bin. Stop tractor engine and set park brake before installing the hitch pin.

1. Make sure the tractor and chaser bin are on level ground.
2. With chaser bin tongue level, adjust chaser bin hitch on tongue to match your tractor-drawbar height.
3. When chaser bin hitch matches tractor-drawbar height, hitch chaser bin to tractor.
4. Securely attach chaser bin safety chain to an anchor on tractor capable of pulling chaser bin load.
5. Attach PTO shaft. Ensure guards are in place and in good working condition.
6. Connect hydraulic hoses which are labelled to help with connection:



Warning – High Pressure Fluid Hazard: Escaping fluid under pressure can have sufficient pressure to penetrate the skin. Check all hydraulic lines and fittings before applying pressure. Fluid escaping from a very small hole can be almost invisible. Use paper or cardboard, and wear heavy gloves to check for suspected leaks. If an accident occurs, seek immediate medical assistance.

7. Raise the jack.



Caution: When towing check that the safety chain is attached.

Caution: When towing on public roads check that you comply with all road rules.

Caution: When loaded do not exceed 10 km/h.

Transporting

1. Fold up discharge chutes.
2. Locate jack stand in transport position.
3. Maximum towing speed.

Operating Condition	Transport Speed (Maximum)	Transport Duration (Maximum)
Empty Tracks	25 kph	30 min.
Empty Wheels	30 kph	N/A
Loaded Tracks	15 kph	15 min.
Loaded Wheels	10 kph	N/A

For more information on transport when tracks are fitted refer to track operation and maintenance manual

4. Ensure towing vehicle requirements are adequate for the towed vehicle e.g. mass / brakes etc.
5. Braking when towing can cause the load to jack knife. Use extra care when towing in adverse conditions such as mud, inclines and sharp bends.
6. Lower towing speeds are recommended on farm roads/tracks and where one wheel is on or over a road verge.
7. Attach safety chains to tractor. Note: The safety chains are provided with sufficient length to cater for all towing vehicles. Safety chains must be shortened by cutting off excess length so that if the coupling fails the drawbar will not hit the ground.

Pre Start Checklist

1. Check wheel nuts are tight.
2. Check tyre pressure is as specified within this manual.
3. Check for oil leaks.
4. Check that no foreign objects are in the chaser bin.
5. Check the chassis for cracks or damage.
6. Ensure PTO shaft guards and all other guards are in place and in good working condition.
7. If tracks are fitted check that track tension hydraulic pressure is correct 131 Bar or 1900PSI.

Field Operation



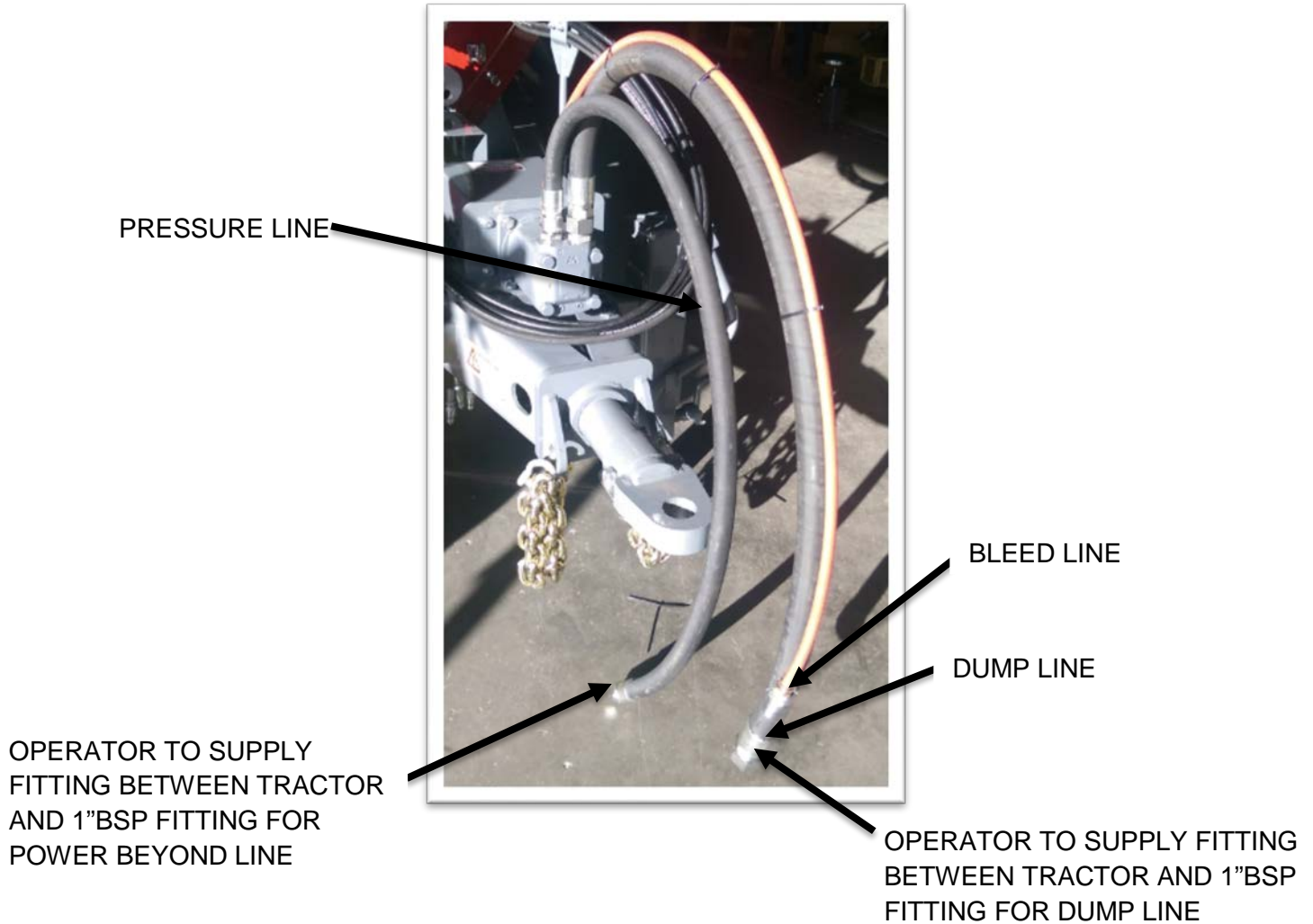
Caution: The chaser bin needs to be filled evenly so that the loading to the tractor hitch does not tend to lift or put downward force on the hitch connection.

Caution: When loaded do not exceed 10 km/h

Caution: You cannot turn or be on an angle when the PTO shaft is engaged. This will cause damage to your universal joint.

To connect hydraulic augers drive

Option 1- If Tractor has power beyond hydraulic oil connection



1. Always connect bleed line. Bleed line made from low pressure pipe to protect motor seals if bleed line is not connected when motor is pressurised.
2. Connect dump line.
3. Connect pressure line to power beyond on tractor.

Changing auger from transport to working position

1. Use hydraulic cylinder to unfold auger as high as it can.
2. Remove bottom pin from auger support and push auger support up and replace pin.



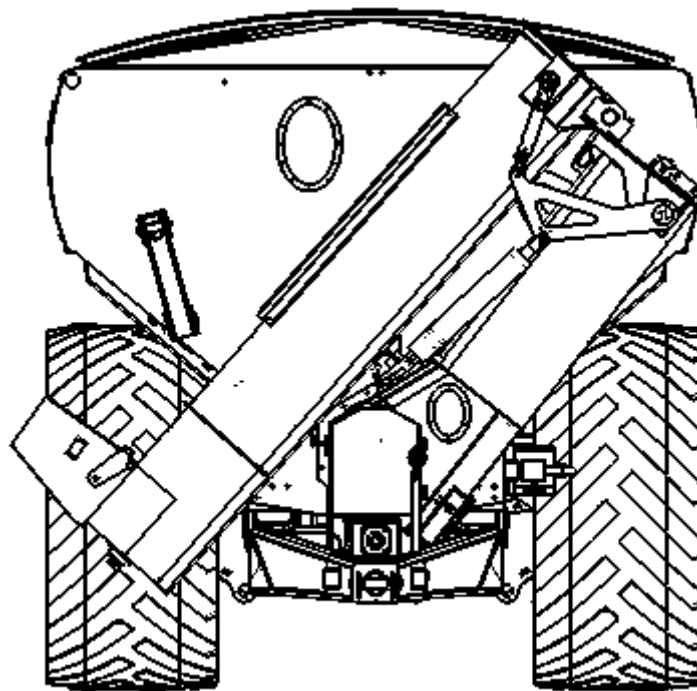
The auger must not be used if the auger support is not in the up position.

3. Fold auger down until it rests on auger support.

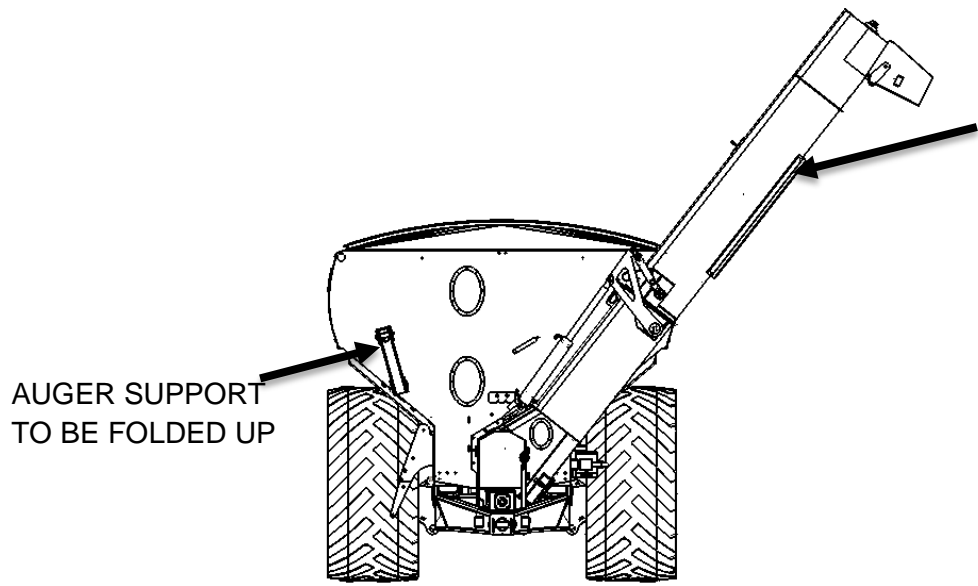
Changing auger from working to transport position

1. Extend auger as high as it can go.
2. Remove bottom pin from auger support fold support down and replace pin.
3. Fold auger down to transport position.

Changing auger from transport to working position pictures

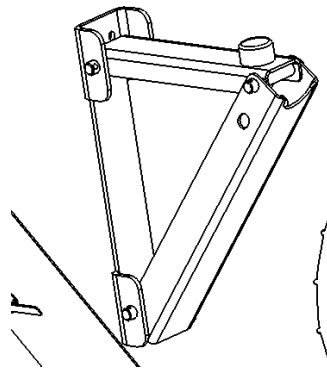


Auger in truck transport position

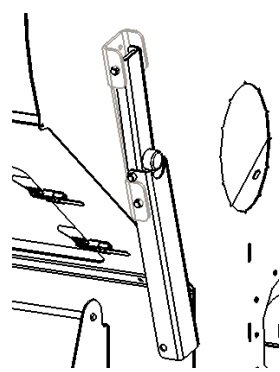


AUGER TO BE IN THIS POSITION WHEN CHANGING AUGER SUPPORT FROM TRANSPORT TO WORKING POSITION

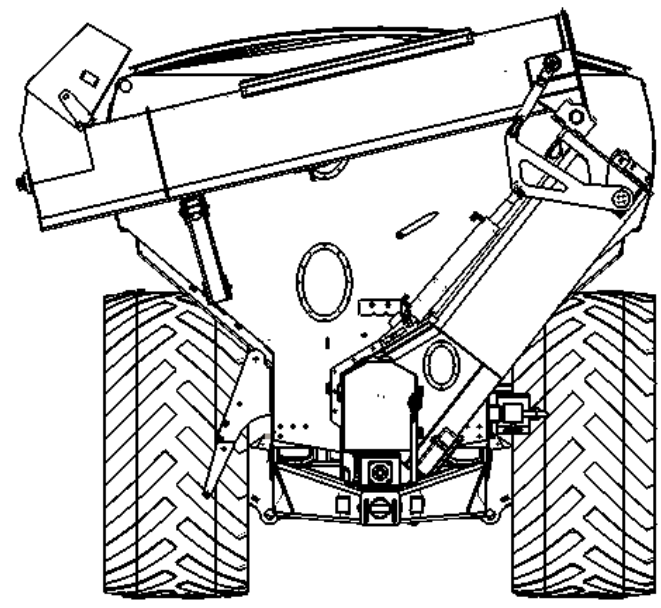
Auger in position to fold auger support up or down



Auger support up

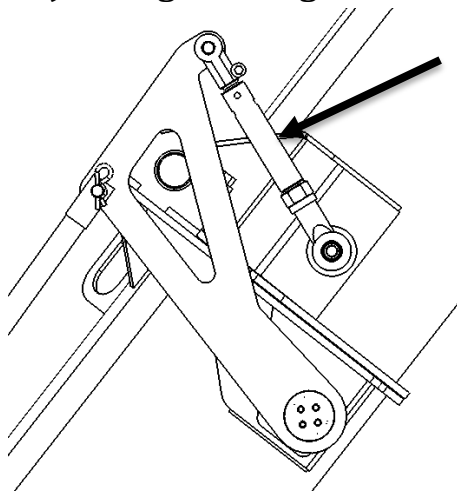


Auger support down



Auger in working position. Auger support folded up.

Adjust auger linkage



AUGER LINKAGE



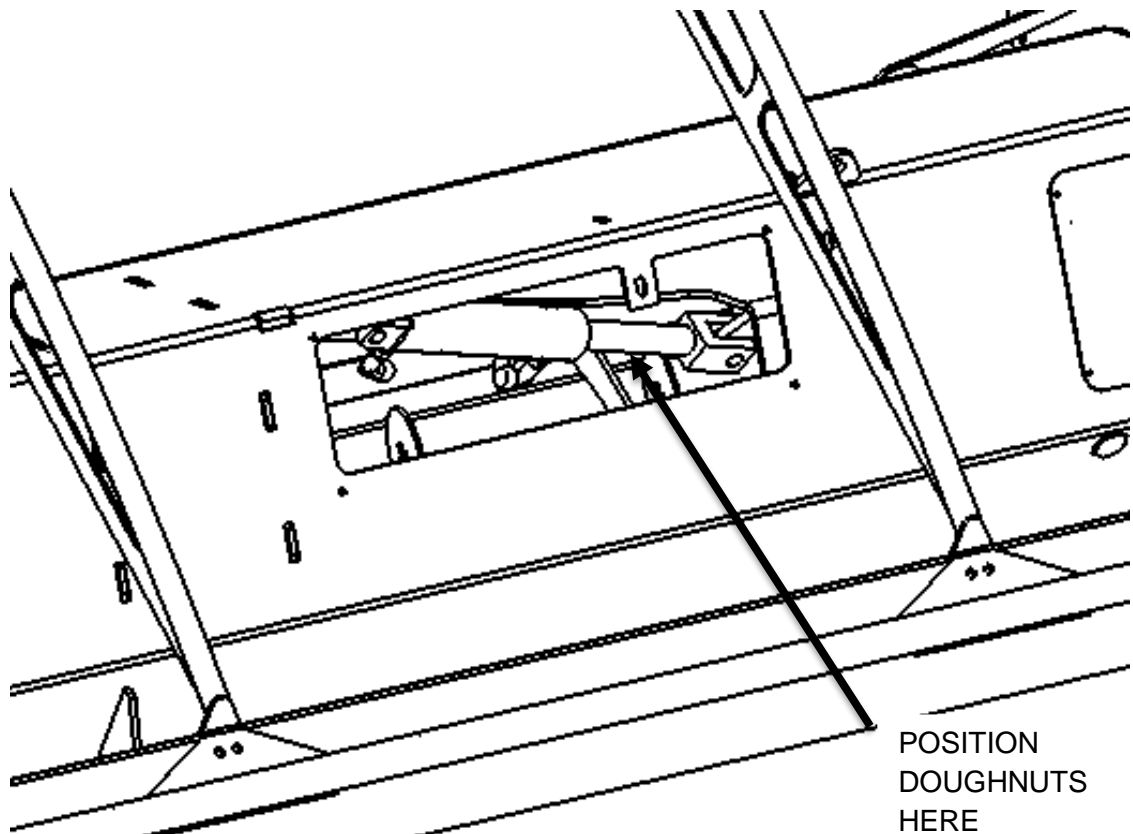
Caution: Over adjustment of linkage will lead to auger damage.

When linkage is adjusted hydraulic cylinder must be fully extended position

To start the augers:

1. Check for power lines, other augers, trees or other equipment and obstacles.
2. Once you have come to a stop you are ready to fold your auger out.
3. Fold out auger using hydraulics.
4. Engage the PTO or hydraulic drive to start the augers whilst the tractor is idling.
5. Increase tractor RPM to desired speed.
6. Open grain cut of doors.

Note: If the grain gets compacted in the vertical auger you need to adjust the grain flow door size with "doughnuts" to slow the feed rate



To stop the augers:

1. Close the grain flow doors.
2. Reduce tractor RPM to idle.
3. Once the vertical auger is empty disengage the PTO drive or hydraulic drive.
4. Fold down vertical auger. It is advised to wait 30 seconds for residual grain to flow back down the auger before folding.

Emergency Stop Procedure:

1. In an emergency you can disengage the PTO drive \ hydraulic motor which will stop grain flowing immediately.

NOTE: You will need to restart the augers and follow the correct stop procedure to be able to fold the vertical auger up.



Caution: The emergency stop should not be used unless necessary as it causes grain to compact at the base of the auger which will cause premature wear to your machine if done regularly.

MAINTENANCE AND LUBRICATION

Maintenance

Proper servicing and maintenance is the key to long implement life. With careful and systematic inspection, you can avoid costly maintenance, downtime and repair. Always turn off and remove the tractor key before making any adjustments or performing any maintenance.



Warning – Crushing Hazard: Never perform maintenance while machine is loaded. Park on level ground, insure wheels are sufficiently chocked, tractor is disabled and park brake engaged.



Warning – High Pressure Fluid Hazard: Escaping fluid under pressure can have sufficient pressure to penetrate the skin. Check all hydraulic lines and fittings before applying pressure. Fluid escaping from a very small hole can be almost invisible. If an accident occurs seek immediate medical assistance.

1. After using the chaser bin for several hours, check all bolts to be sure they are tight.
2. Lubricate areas listed under “Lubrication”.
3. Check tyre inflation as specified in “Tyre Inflation Chart”.
4. Clean out grain from feed bin regularly.
5. Replace any worn, damaged or illegible safety decals.

Lubrication

Area	Weekly	Pre-Season
Grease drive line bearings	✓	
Auger Hinge Bearing		✓
Check Gearbox oil and top up if required	✓	
Change Gearbox oil		✓

Note recommended Gear Oil: 80W/90 Gear Oil

Tyre Inflation Chart

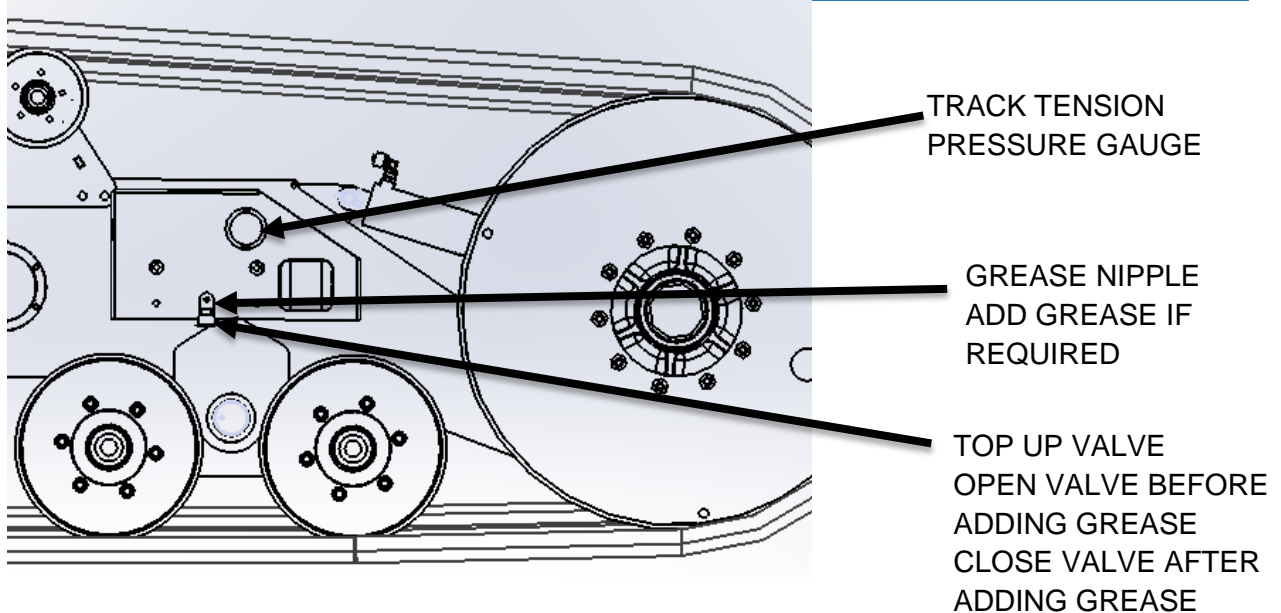
Tyre Size	psi	kPa
Harvest 30.5L32 18pr HB45 167A8 TL – Dual bead	52.3	360
Harvest 800/65-32 20pr HB45 179A8 TL – Dual bead	65.3	450
Harvest 900/60-32 20pr HB45 185A8 TL – Dual bead	65.3	450



Caution: Tyre pressure should be checked weekly

Track Tension Pressure

Track Pressure	psi	kPa
Gauge Pressure	1900	13100



Chaser bin must be on a level area when pressure is checked.

Bolts and Hardware

Check wheel nuts every day for the first 3 days and weekly after that. Wheel nuts should be tightened to 1025Nm (756 ft-lbs).



Note: Davimac Trading Pty Ltd does not warrant faults relating to wheel nut tightness. It is the responsibility of the operator to check and maintain wheel nut torque on a regular basis.

Check all bolts and hardware after the first 50 hours of use. All fasteners should be checked and retightened as required during an annual service.



Caution: Use only metric tools on metric bolts to avoid damage to bolt heads and to prevent tools slipping and causing injury.

Torque Chart

Bolt Dia	Class 4.6		Class 8.8 		Class 10.9 	
	Nm	ft-lbs	Nm	ft-lbs	Nm	ft-lbs
8	8	6	22	16	32	24
10	17	13	44	32	63	46
12	30	22	77	57	109	80
14	51	38	133	98	189	139
16	73	54	190	140	270	199
18	108	80	281	207	399	294
20	143	105	372	274	528	389
24	248	183	640	472	914	674
30	491	362	1314	969	1817	1340

Bolts should only be replaced with higher grade bolts. If replaced by a higher grade bolt then the original bolt torque should be applied.

Storage



Warning – Make sure the chaser bin is stored on level ground, with the key removed and all drives disengaged.

The chaser bin should be stored under cover when not in use for longer life.

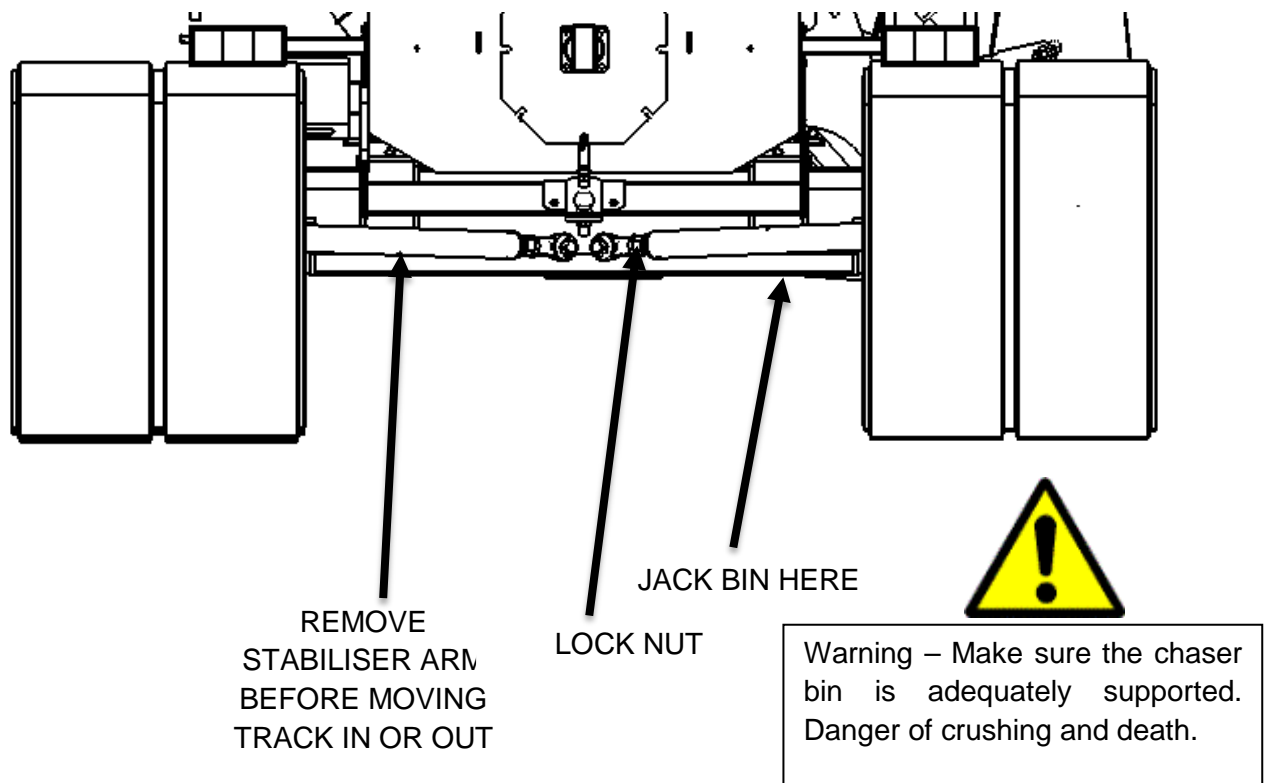
1. Unload bin.
2. Thoroughly clean grain residue from the box and auger.
3. Remove any dirt and debris that can hold moisture and cause corrosion.
4. Inspect chaser bin for worn or damaged parts. Make repairs and service during the off season.
5. Use spray paint to cover scratches, chips and worn areas on the chaser bin to protect the metal.

ADJUSTING TRACK IN AND OUT

Safety when adjusting tracks

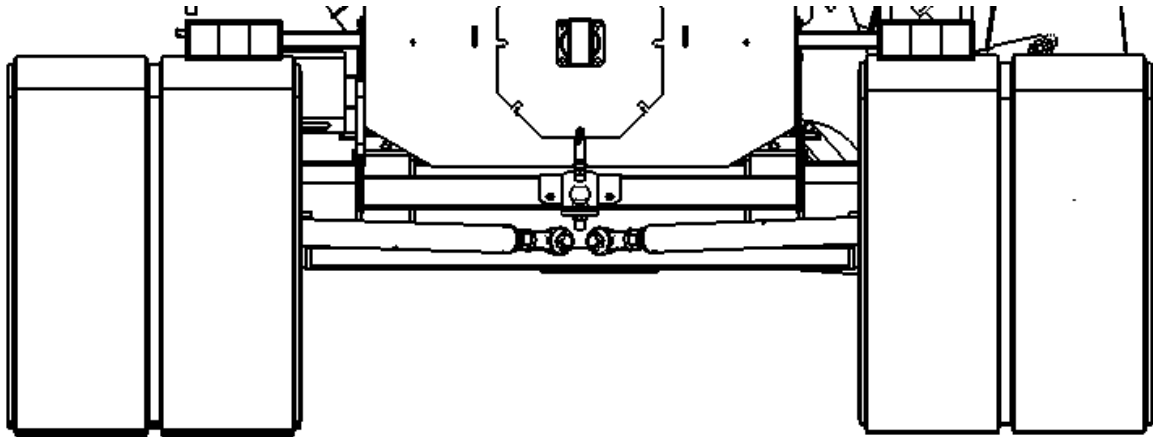
- Bin to be empty when tracks are adjusted.
- Work on a cement surface to prevent jacks or support equipment from sinking in to ground.
- Work on a level surface to prevent bin from sliding of jacks and supports.
- Only jack and adjust one side of the bin at a time. Put chock blocks in front and behind the track that is on the ground.
- Don't rely only on jacks when working on bin. Always support with adequate supports.

Track adjustment

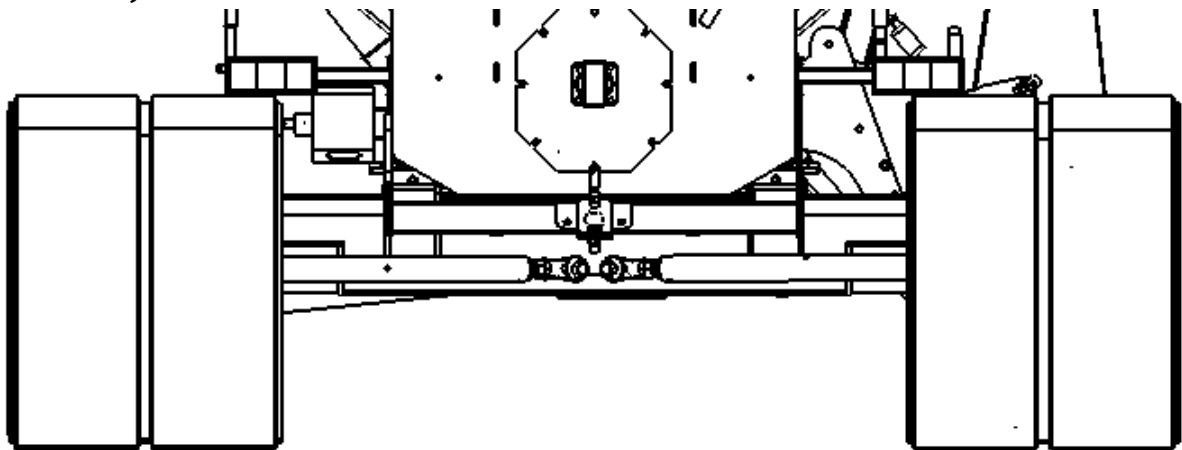


- Jack bin up and use adequate supports to keep bin supported.
- Remove stabiliser arm.
- Move track out or in as required.
- Fit correct stabiliser arm.
- Loosen lock nuts and adjust the stabiliser length to ensure that track is parallel with chassis and each other.
- Make sure that all nuts are completely fastened.
- Make sure all pins are secure.

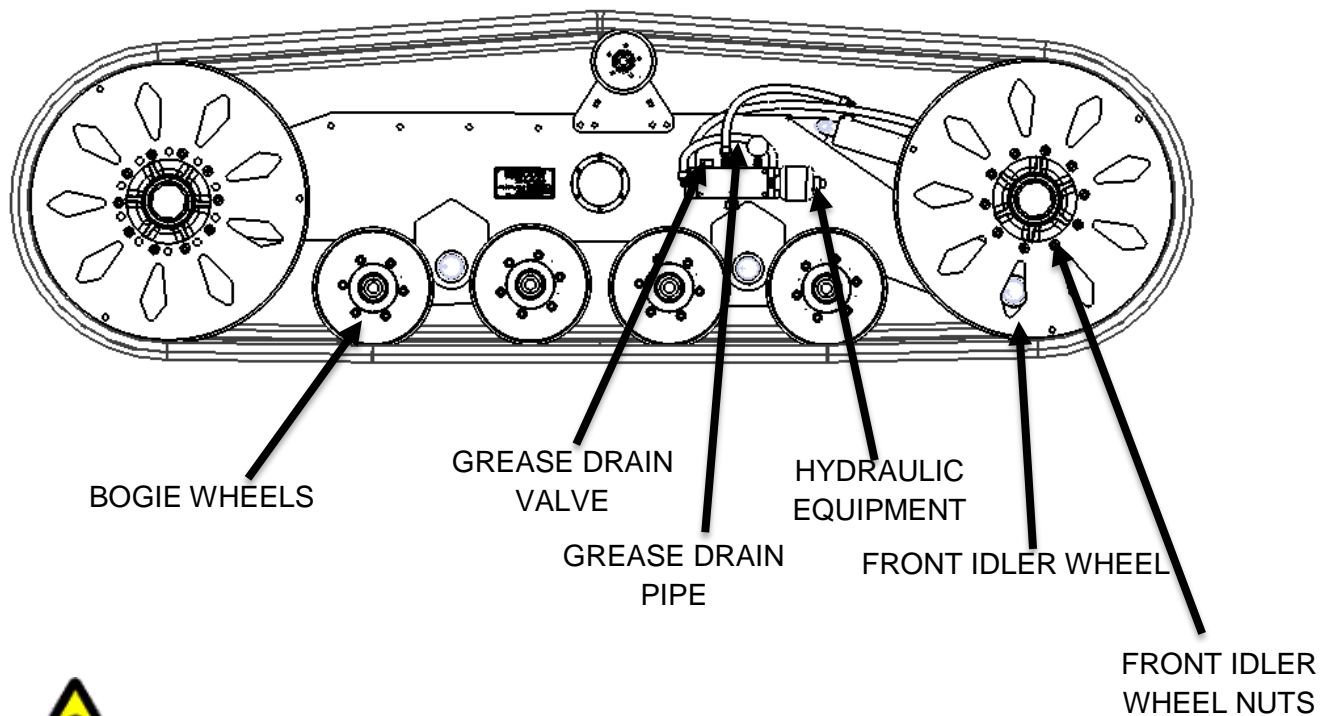
Track adjusted in



Track adjusted out



REMOVING OR REPLACING TRACK



Warning – Make sure the chaser bin is adequately supported. Danger of crushing and death.

- Jack up side to be changed.
- Remove hydraulic equipment cover.
- Remove grease drain pipe from holder.
- Open grease drain valve.
- Push front idler wheel backwards until hydraulic cylinder is completely compressed.
- Remove all outer idler and bogie wheel nuts and remove outer wheels.
- Remove old track.
- Fit new track.
- Replace all outer idler and bogie wheels and fasten nuts.
- Close grease drain valve.
- Replace drain pipe to holder.
- Pump grease in thru the grease nipple until desired pressure is reached 1900 PSI.
- Replace hydraulic equipment cover.
- Insure that all bolts are fastened completely.
- Check pressure and bolts after 10 Hours.

ADJUSTING WHEELS IN AND OUT

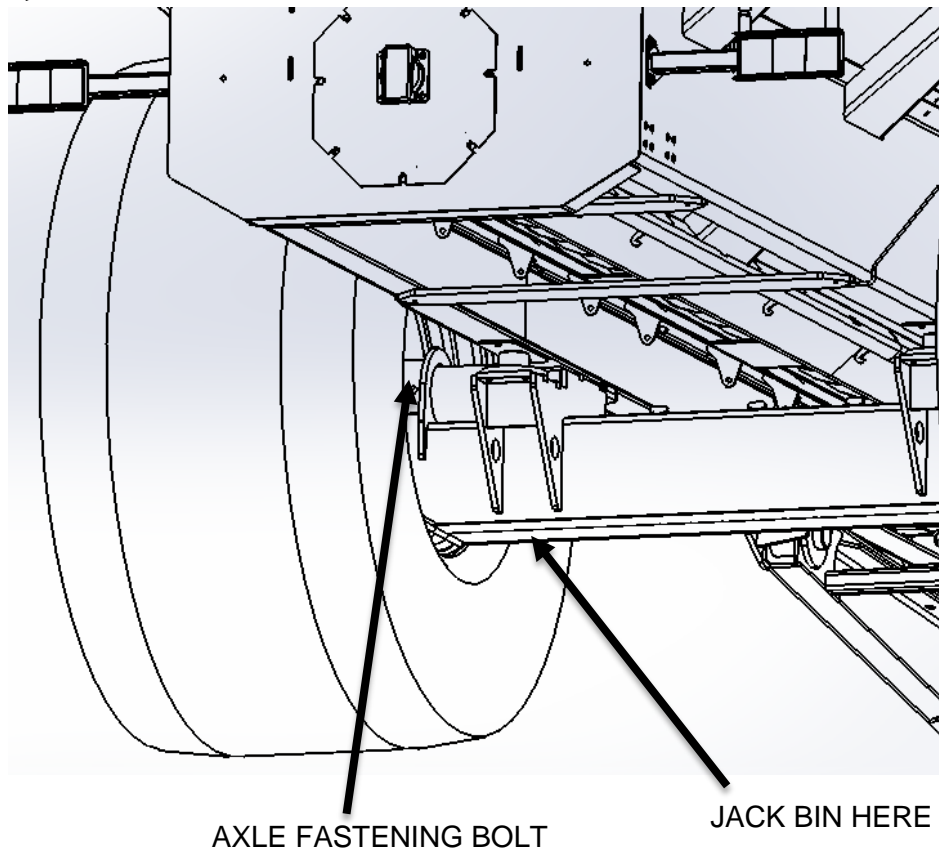
Safety when adjusting wheels



Warning – Make sure the chaser bin is adequately supported. Danger of crushing and death.

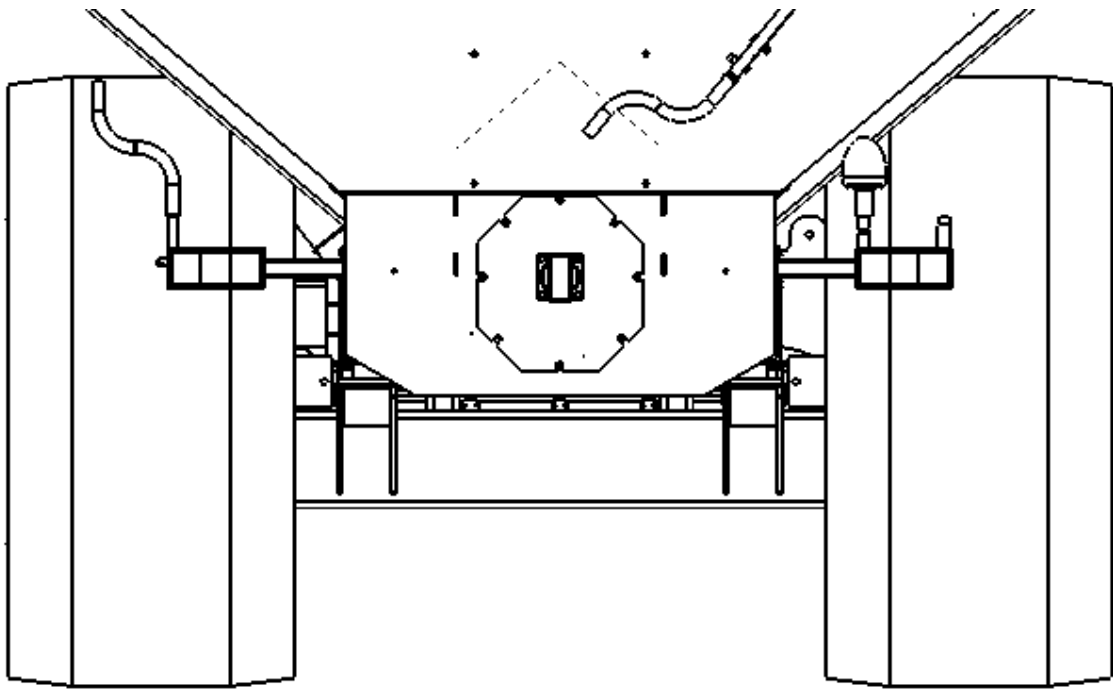
- Bin to be empty when wheels are adjusted.
- Work on a cement surface to prevent jacks or support equipment from sinking in to ground.
- Work on a level surface to prevent bin from sliding of jacks and supports.
- Only jack and adjust one side of the bin at a time. Put chock blocks in front and behind the wheel that is on the ground.
- Don't rely only on jacks when working on bin. Always support with adequate supports

Wheel adjustment

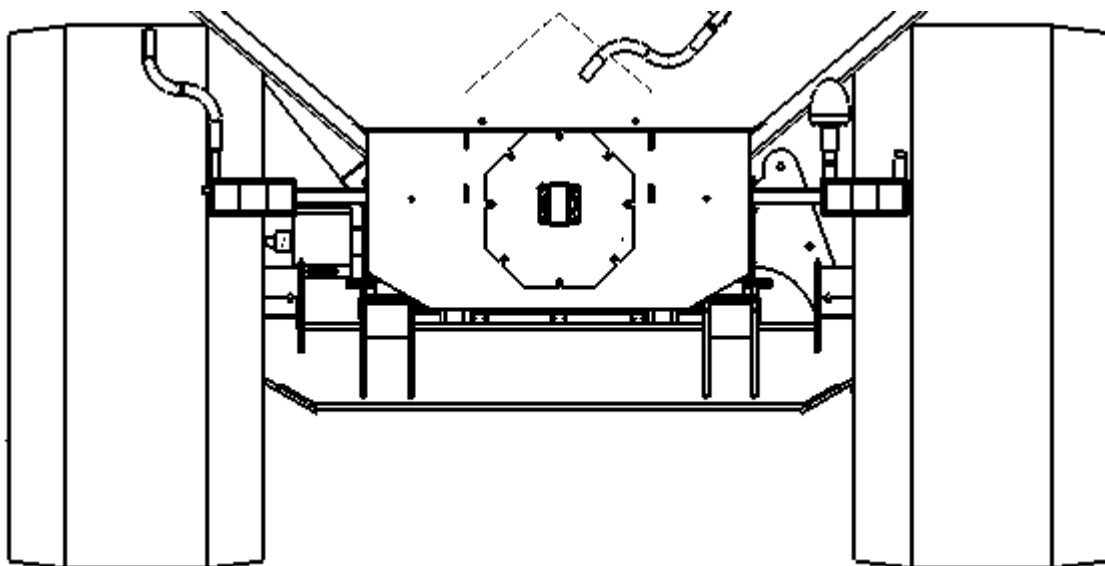


- Remove axle fastening bolt.
- Jack bin up and use adequate supports to keep bin supported.
- Move wheel out or in as required.
- Replace axle fastening bolt.
- Make sure that all bolts and nuts are completely fastened.

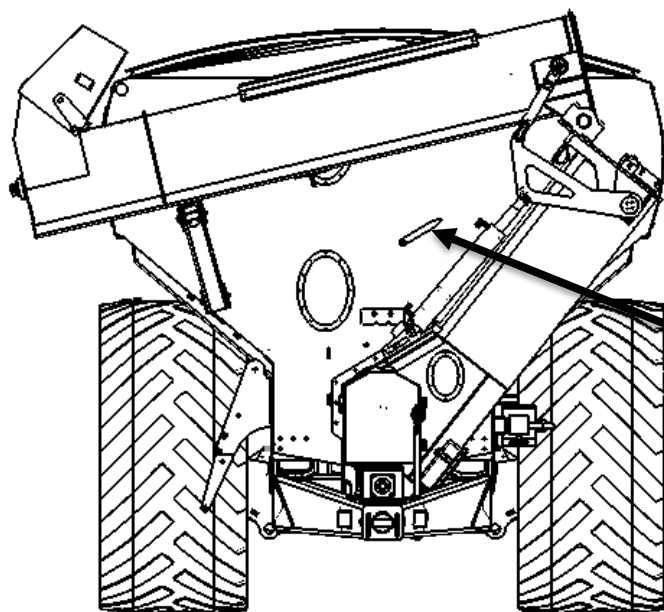
Wheels adjusted in



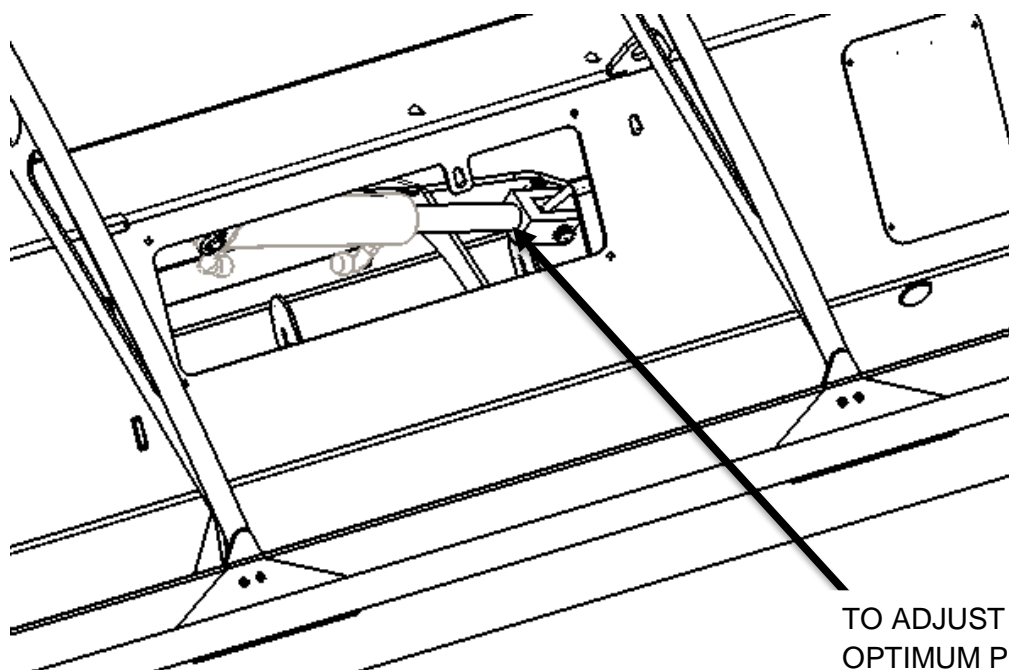
Wheels adjusted out



SETTING THE GRAIN FLOW DOORS



GRAIN FLOW DOOR OPEN
CLOSE INDICATOR



TO ADJUST DOORS FOR
OPTIMUM PERFORMANCE,
ADD DOUGH NUTS TO
HYDRAULIC CYLINDER TO
LIMIT THE TRAVEL

TROUBLESHOOTING


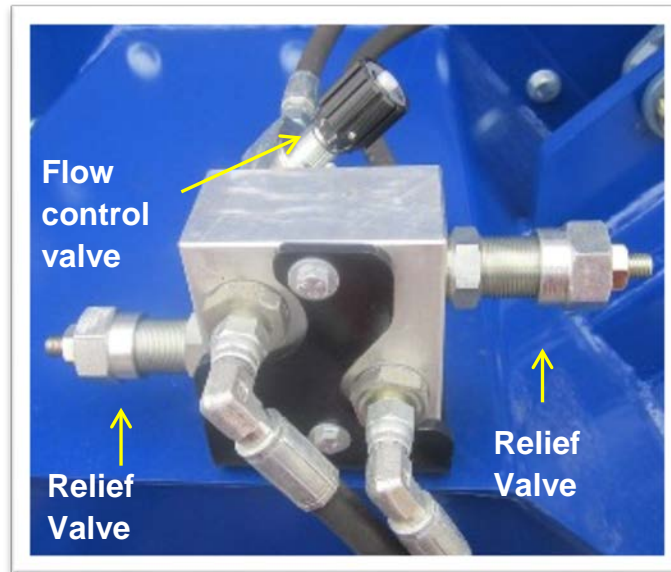
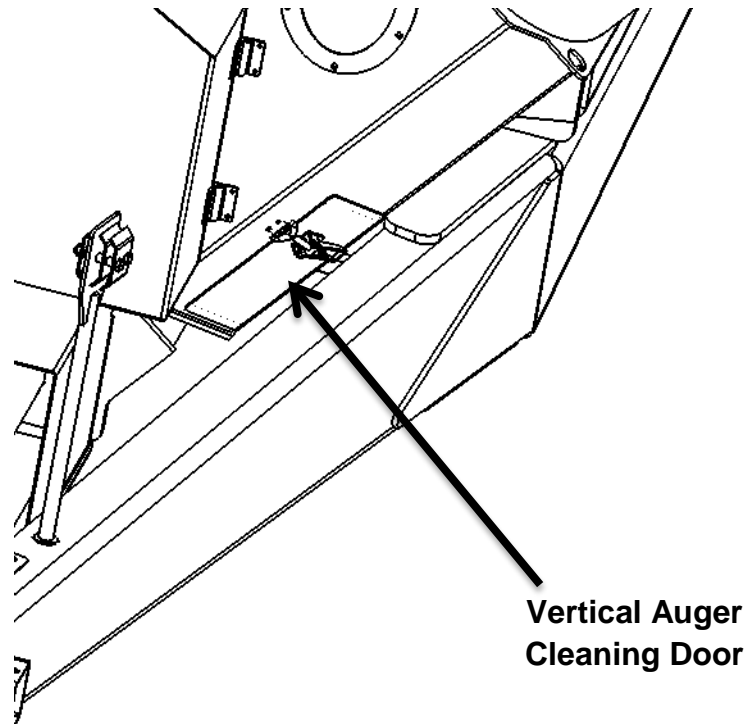
Problem	Possible Cause	Possible Solution
Vertical auger folding is too slow or too fast	Flow control valve set to low	Adjust flow control valve. (Black knob shown in figure 1 below)
Vertical auger not folding out. Vertical auger not folding in.	Relief valve set too low	Adjust relief valve. (Refer figure 1 below)  <p>Ensure the correct relief valve is adjusted. Over adjustment can cause premature wear. If this valve is not set properly it can cause damage.</p>
Vertical auger compacting	Cross Auger feed rate to high	Close grain flow doors. Open vertical auger cleaning door (Refer to figure 2 below) and allow some of the grain to flow out. Close cleaning door. Restart Auger keep flow doors closed until vertical auger is clean. Open flow doors but not as far as previous time. Add Depth Stop to cylinder to prevent complete opening of flow doors if problem persists.
Vertical auger extremely compacted	Cross Auger feed rate to high	Close grain flow doors. Remove horizontal auger chain. Open vertical auger cleaning door (Refer to figure 2 below) and allow some of the grain to flow out. Close cleaning door. Restart Auger keep auger running until auger is clean. Stop auger and replace horizontal auger chain. Restart Auger and open flow doors but not as far as previous time. Add Depth Stop to cylinder to prevent complete opening of flow doors if problem persists.

Figure 1 - Vertical Auger Control Valve



!! These should only be adjusted by people with hydraulic knowledge and experience!

Figure 2 - Vertical Auger Cleaning Door



SPECIFICATIONS AND CAPACITIES

Specifications	18 ton Single Axle	25 ton Single Axle	30 ton Single Axle	30 ton Dual Axle	35 ton Dual Axle
Bin Capabilities: (wheat)	18 ton	25 ton	30 ton	30 ton	35 ton
Vertical Auger Size:	20" (10 ton min)				
	10mm (3/8") thick				
Horizontal Auger Size	16"				
	6mm (1/4") thick				
Auger Spout Height:	4675mm	4675mm	4675mm	4675mm	4675mm
Bin Side Height:	3.31m	3.31m	3.31m	3.31m	3.31m
Bin Length:	4.3m	6.4m	7.42m	7.42m	8.57m
Overall Length:	7.3m	8.8m	10m	10m	11.27m
Overall Width:	3.480m	3.480m	3.480m	3.480m	3.480m
Tyres:	30.5 x 32 18 ply	800/60 x 32/	900/60 x 32	30.5x32 18ply	30.5x32 18ply
		Optional 900/60 x 32			
Wheel Tracks:	Standard 2.6m			Standard 2.6m	
	Optional 3m or 4m			Optional 3m	
Axle Capacity	34t	34t	40t	80t	80t
Weight (Unloaded) (ton):	4.92	6.12	7.8	12.65	13.7
Weight (Loaded) (ton):	22.92	31.12	37.8	42.65	48.7

Specifications		30 ton track	35 ton track
Bin Capabilities: (wheat)		30 ton	35 ton
Vertical Auger Size:		20" (10 ton min)	
		10mm (3/8") thick	
Horizontal Auger Size		16"	
		6mm (1/4") thick	
Auger Spout Height:		4675mm	4675mm
Bin Side Height:		3.22m (127")	3.22m (127")
Bin Length:		7.42m	8.57m
Overall Length:		10.13m	11.27m
Overall Width:		3.48m	3.48m
Track Centres		2.56m or 3.0m	
Track Width	Standard	914mm (36")	
	Optional	600mm (24")	
Track Length Contact		3.12m (123")	3.12m (123")
Track Mid Wheels (per Track)		8	8
Track End Wheels (per Track)		4	4
Weight (Unloaded) (ton):		13.55	14.6
Weight (Loaded) (ton):		43.55	49.6

AFTER SALES OPTIONS

Description	
Load Cells	
Auger Hopper Chute	

HAZARD IDENTIFICATION & RISK ASSESSMENT

Each hazard is to be considered for its probability and consequence through the following ranges:

Probability (P)	Consequence (C)
5 Expected	5 Death or Dismemberment
4 Often	4 Permanent Disability
3 Sometimes	3 Lost Time Injury
2 Rarely	2 Medical treatment
1 Highly Unlikely	1 First Aid Injury

Level of risk is assessed by multiplying the values associated with each category together.

- 15-25: High risk activities
- 5-10: Medium risk activities
- 1-5: Low risk activities

Operation	P	C	Risk	Control Measures
Clearing debris from auger while in operation	5	5	HIGH	Do not inspect for debris or attempt to clear auger while power is on
Standing on top of the grain in the bin during auger operation	4	5	HIGH	Do not walk on top of grain in bin
Performing maintenance to auger system while in operation	5	5	HIGH	Do not attempt any interaction with auger while power is on
Standing inside bin while in operation	4	5	HIGH	Do not enter the chaser bin while in operation
Inspecting hydraulic lines for leaks by hand	4	3	MED	Use paper or cardboard and wear heavy gloves to check for suspected leaks
Tyre changing by untrained personnel or using incorrect tools	3	4	MED	Operation is to be performed by trained personnel using correct tools and equipment
Chaser bin being pulled by tractor with insufficient power to safely tow bin	3	5	HIGH	Confirm tractor is rated to tow the fully loaded chaser bin. Do not tow chaser bin with smaller tractor than required
Standing between chaser bin and towing vehicle while aligning vehicles for hooking	2	5	MED	Operator to take responsibility for all persons in area, only moving vehicles when safe to do so
Performing maintenance without chocking wheels or parked on slope	3	5	HIGH	Do not perform maintenance unless machine is on level ground and wheels are sufficiently chocked, tractor is disabled and park brake engaged
Towing chaser without safety chain attached	2	5	MED	Do not tow chaser without safety chain attached
Exceeding 10km/hr when fully loaded	2	5	MED	Chaser bin not exceed 10km/hr when fully loaded
Filling chaser bin while unhooked	4	5	MED	Do not fill chaser bin if unhooked
Walking around chaser bin	1	1	Low	Be aware of chaser bin proportions to avoid bumping head

Customer Hazard Identification and Risk Assessment

In the event of any activity taking place with the chaser bin which has not been considered by Davimac Trading Pty Ltd it is the customers responsibility to perform their own hazard identification and risk assessment, and to implement reasonable control measures to avoid injury to any person. The following form is supplied to facilitate safety in such occasions.

Probability (P)	Consequence (C)
5 Expected	5 Death or Dismemberment
4 Often	4 Permanent Disability
3 Sometimes	3 Lost Time Injury
2 Rarely	2 Medical treatment
1 Highly Unlikely	1 First Aid Injury

Level of Risk:
 15-25: High risk activities
 5-10: Medium risk activities
 1-5: Low risk activities

Multiply the assigned Probability (P) and Consequence (C) values to define 'Level of Risk' and devise reasonable control measures to avoid injury.

Operation	P	C	Risk	Control Measures